



Extruded Aluminum Façade Systems



Customizable, frameless, press-in-place façade systems with unlimited design potential

Fácil Façades offers maintenance-free and easy-to-install extruded aluminum profiles for:

- rainscreen cladding
- shade louvers
- soffits
- architectural louvers
- feature walls
- parking structures
- mechanical penthouses
- interior walls + ceilings
- pergolas



non combustible



concealed fasteners



budget friendly



no maintenance



no oil canning



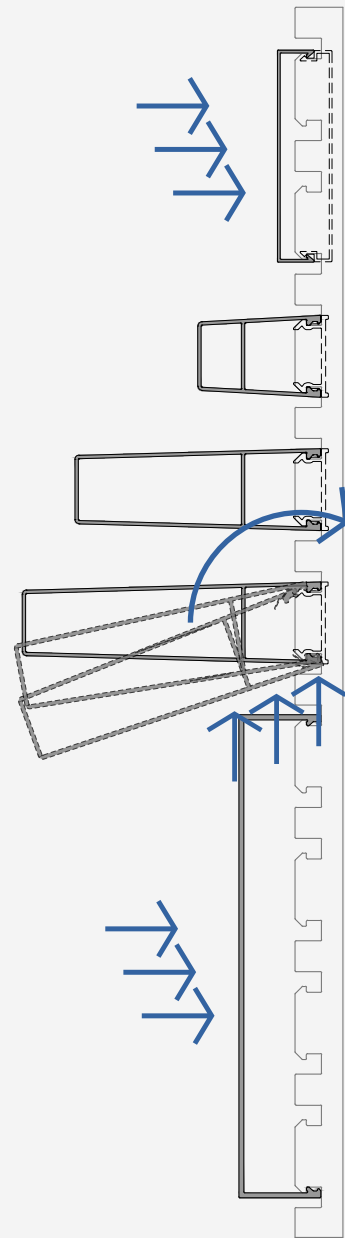
trimless corners



realistic woodgrain finishes

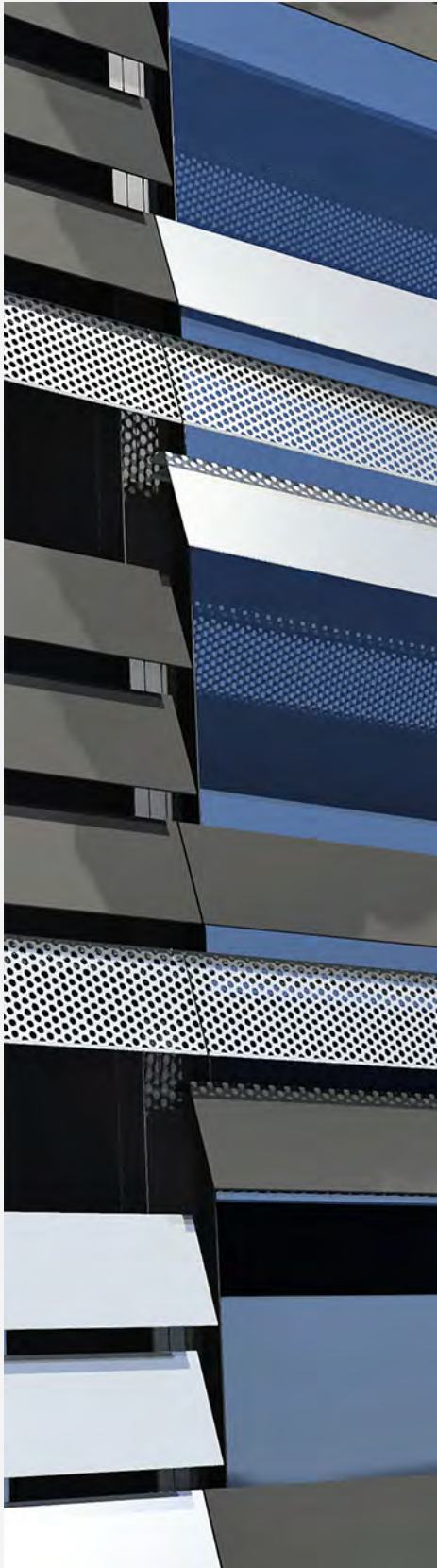


eco friendly



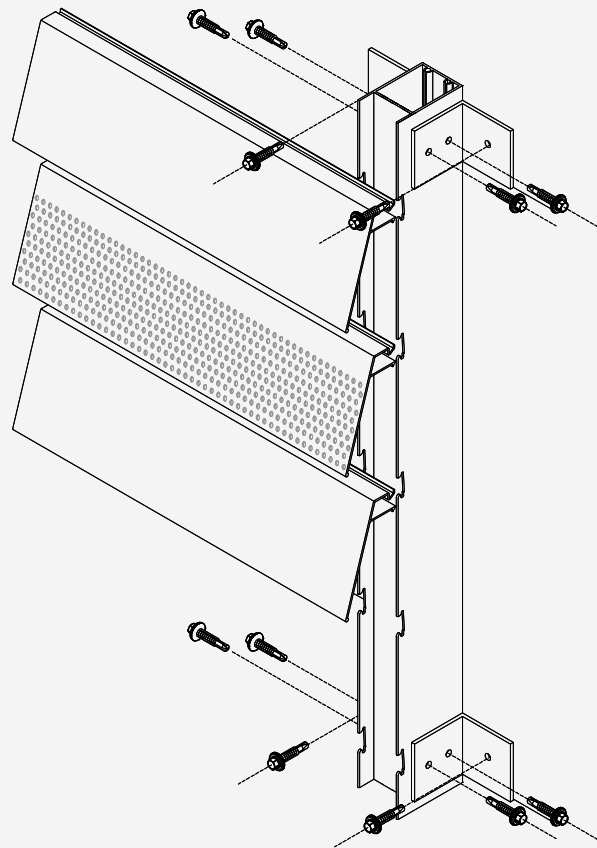
Press-in-place system eliminates fasteners

Elements snap into place creating a frameless system for a clean modern aesthetic



Sun control louvers regulate interior temperatures, saving energy and costs.

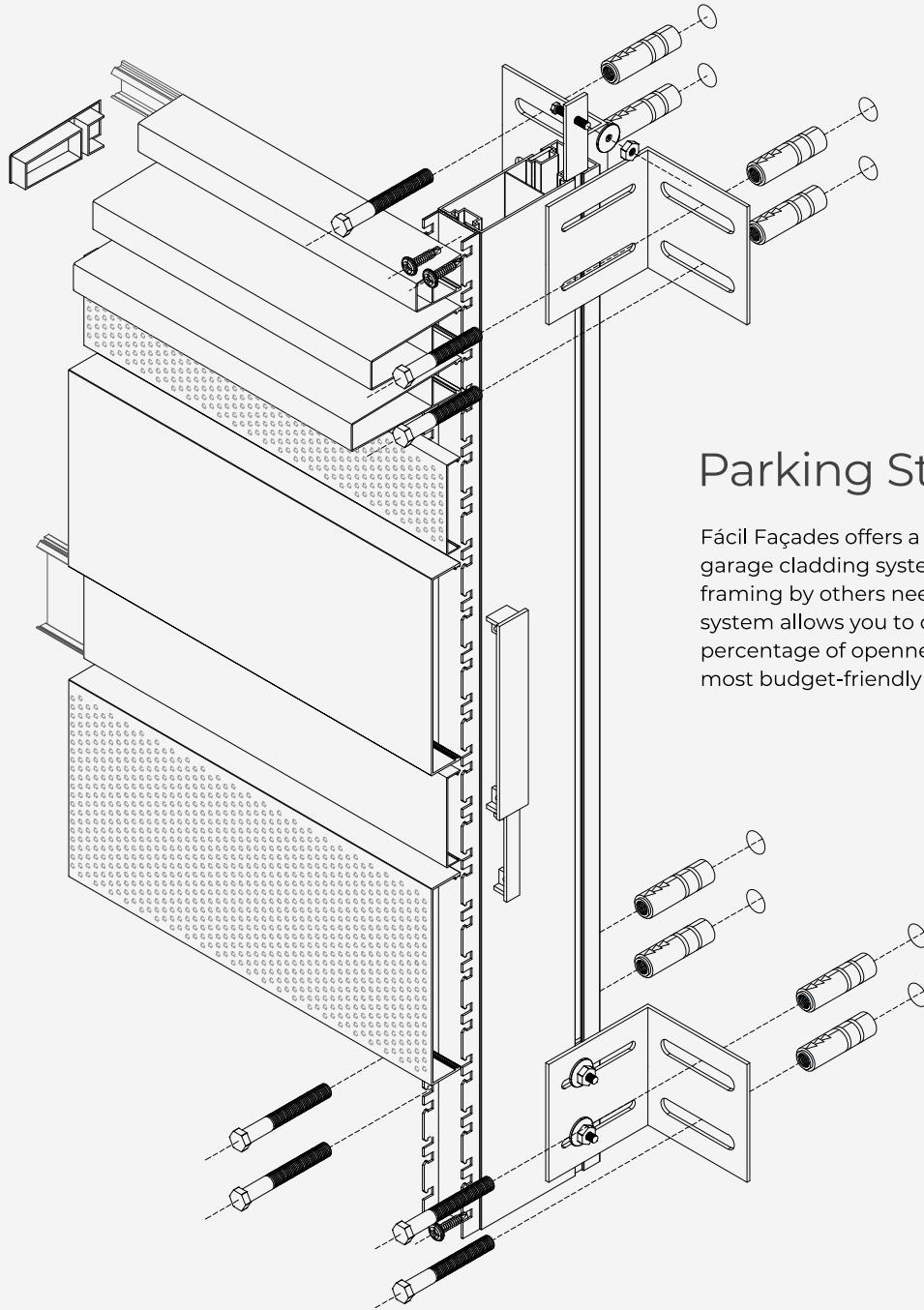
Louvers allow daylight to naturally illuminate interior spaces while maintaining open views to the outside.



Installed vertically or horizontally, Fácil Façades' louvers are available in many profiles and finishes.

Long Spans

Aluminum profiles allow for long spans between supports creating a minimalist aesthetic while reducing material and labor costs. This allows our solar control louvers to make large curtainwall spans.



Parking Structures

Fácil Façades offers a complete parking garage cladding system with no steel framing by others needed. Our flexible system allows you to dial in your desired percentage of openness and is one of the most budget-friendly options available.

FreeWall

Our FreeWall support rail accepts five different cladding profiles allowing you to mix and match varying widths, depths, and finishes to create your unique design.

Your design made easy

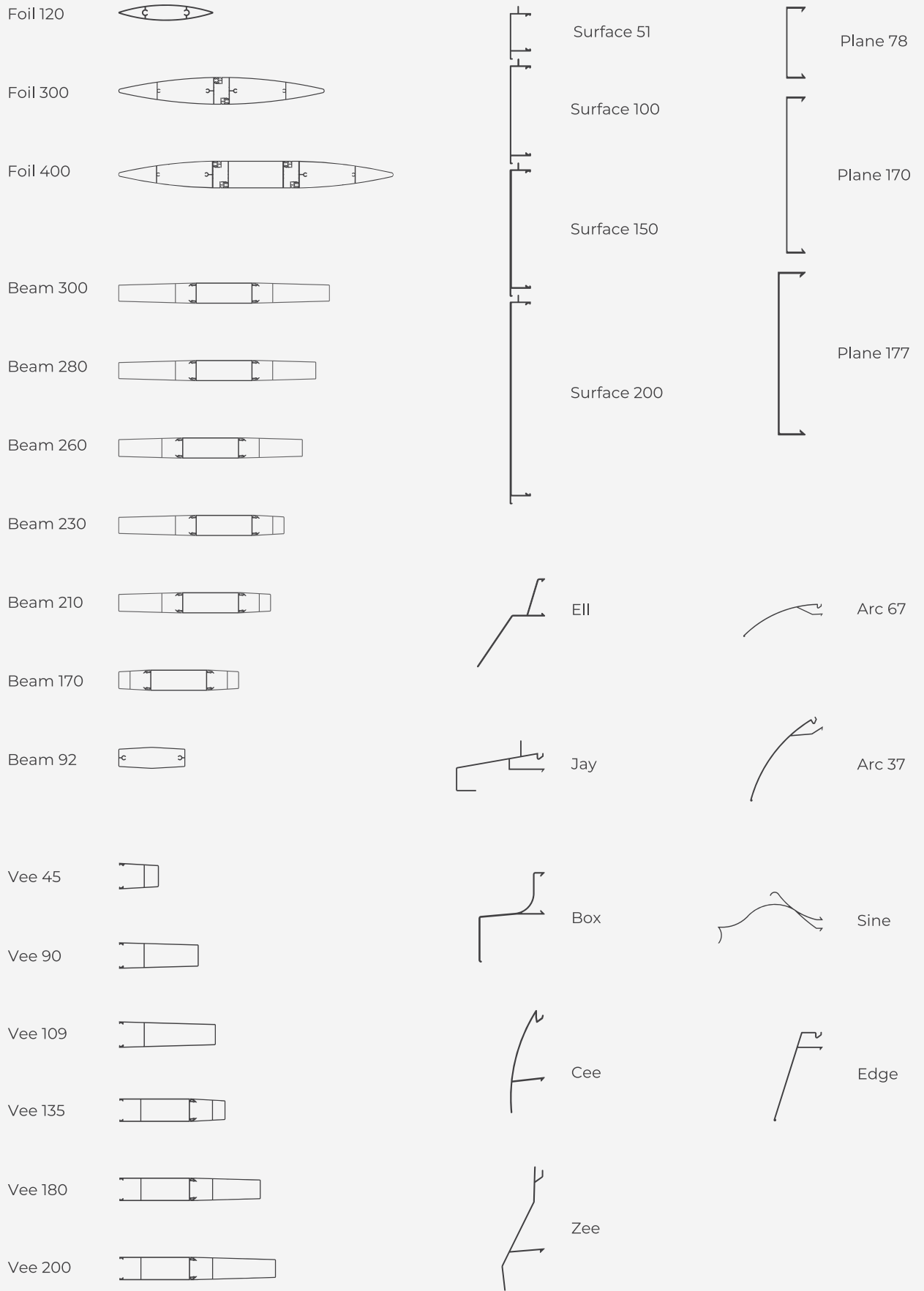


From soffits to shade louvers, parking structures to pergolas, interior ceilings to mechanical penthouse screens, the sky is the limit with Fácil Façades. Our extruded aluminum façade elements are easy to install, maintenance free, budget friendly, and beautiful.





A profile for every project



Available finishes in anodized, powder coated, PVDF paint and UV-stable bonded film.



info@facilfacades.com

1-801-503-5000

Distributed by Cladding North America

Showroom at 64 W Fayette SLC, UT 84101

