



MILLENNIUM FORMS

2021



COVER PHOTO: Williams Park Fieldhouse / STL Architects
Flat Lock Panel / LIC SS / Burgundy & Bronze Gold Bright



BSU Fine Arts / HGA - Lombard Conrad
Large Flat Tile / LIC SS / Blue Bright

We are a custom sheet metal fabricator specializing in color innovation and architectural impact.

We offer metal tiles, panels and flashing in prefabricated and custom dimensions. We currently produce a wide range of unique colors in Stainless Steel (LIC) and ZALMAG®.

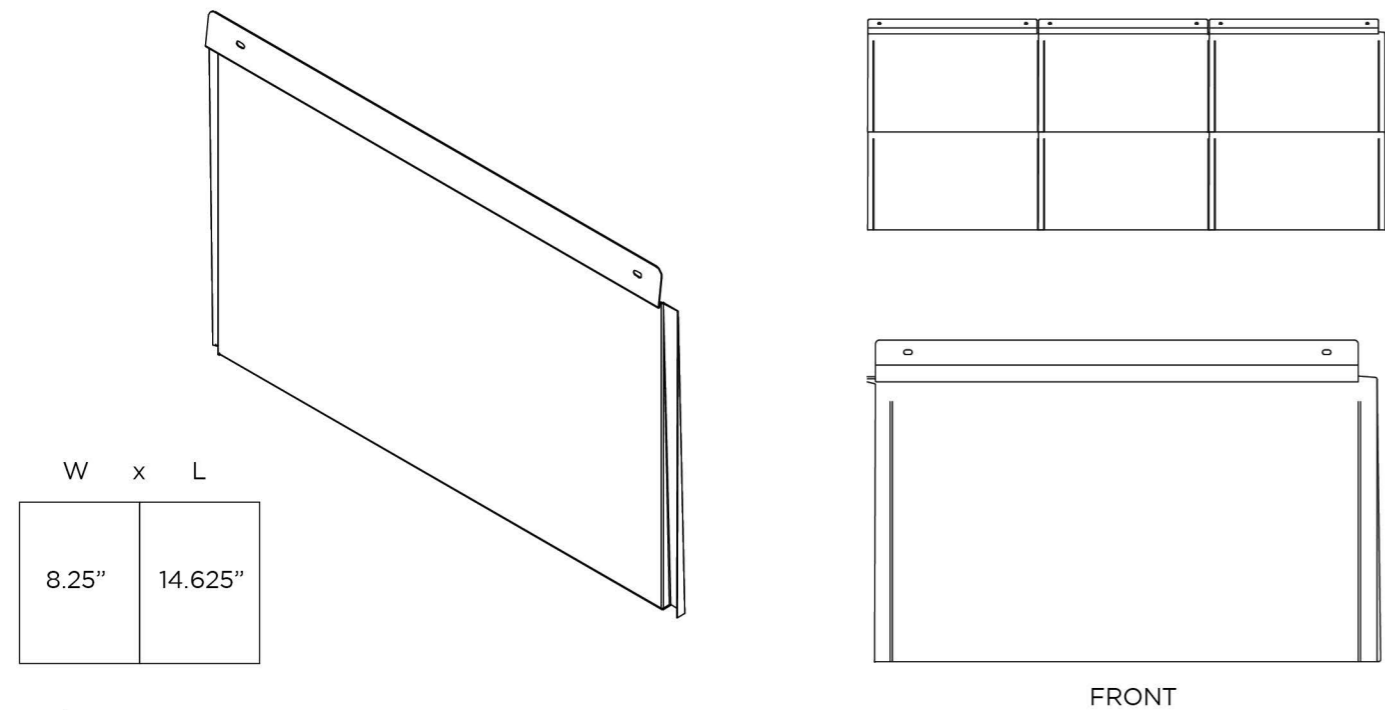


TILES



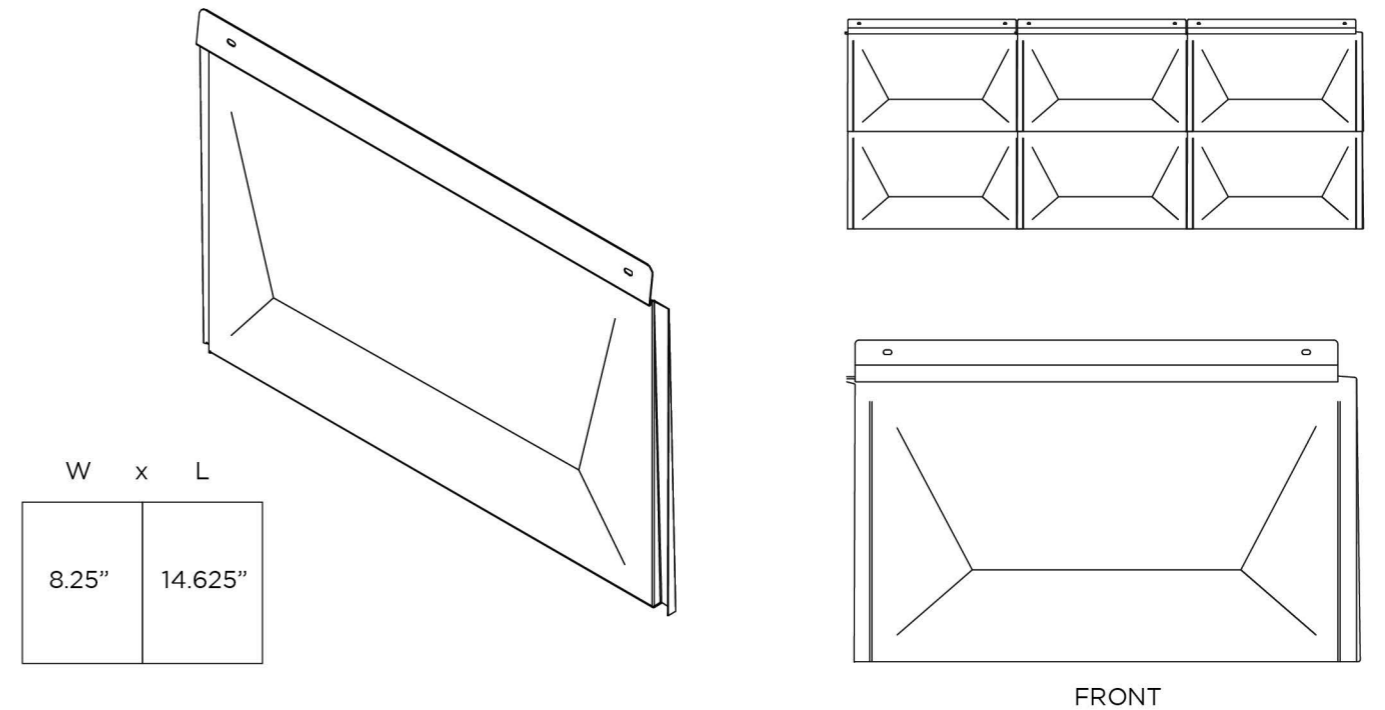
LARGE FLAT TILE

Millennium Flat Tiles were introduced as an alternative to conventional wall cladding systems. The flat tile has the flexibility to accommodate both modern and traditional designs with a unique interlocking design.



LARGE CUPPED TILE

Utilizing the same dimensions as the Flat Tile, the cupped tile has an indentation in the center of the tile creating a unique angular shadow effect. The cupped design is ideal for both wall and roof applications allowing the installer to step in the center portion of the tile without damaging the material.

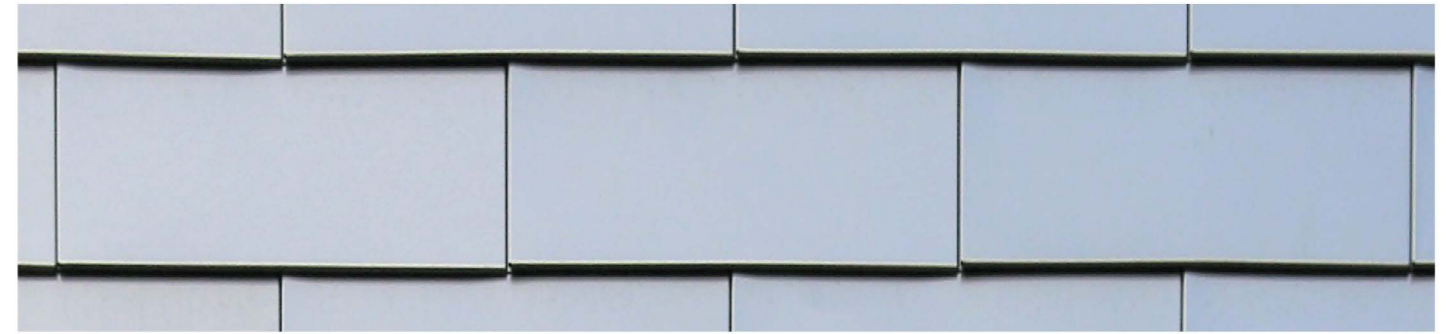
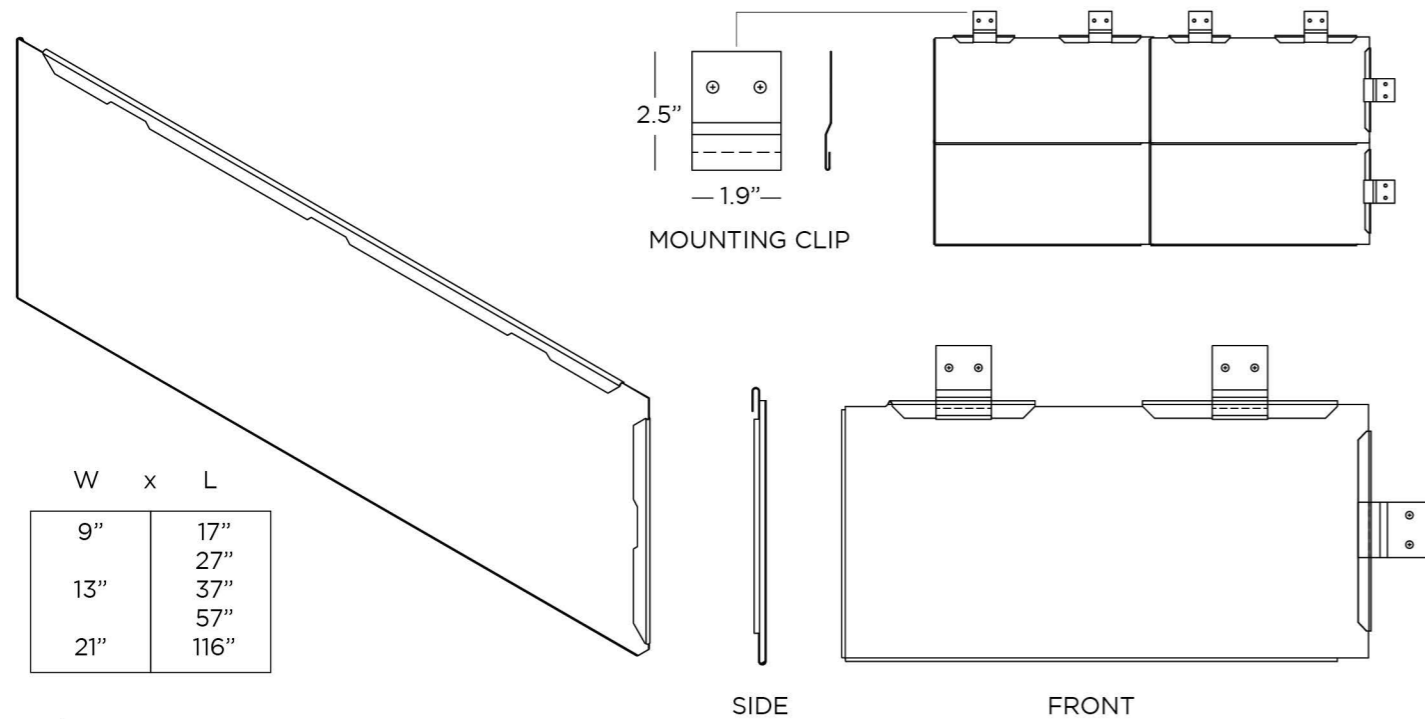


PANELS



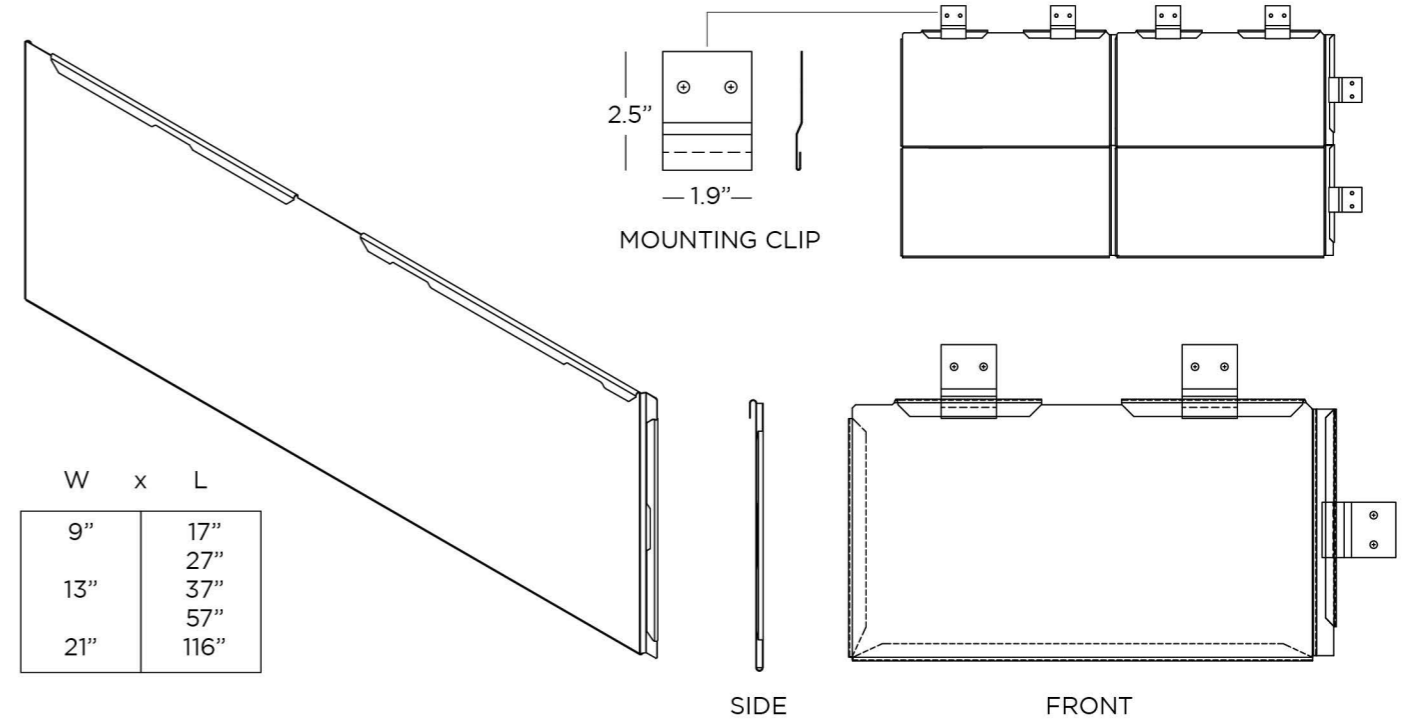
FLAT - LOCK PANEL

Flat Lock Panels are a wall cladding solution designed for a wide range of applications. Overlapping metal wall panels that utilize clips for installation allowing thermal expansion and contraction once installed.

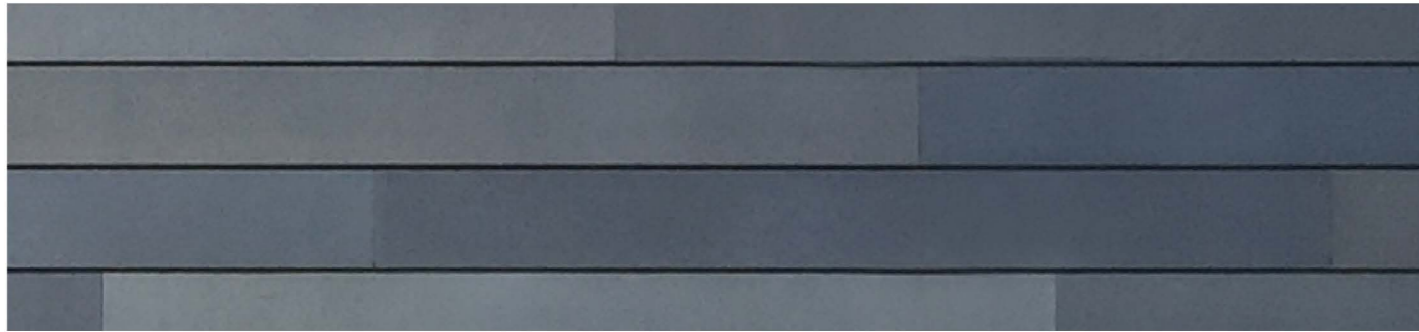


LAY - FLAT PANEL

Unlike traditional flat lock panels, the lay flat panel features an offset on the right hem creating a relief joint in the panel. The result is a true lay flat installation unlike any other panel on the market

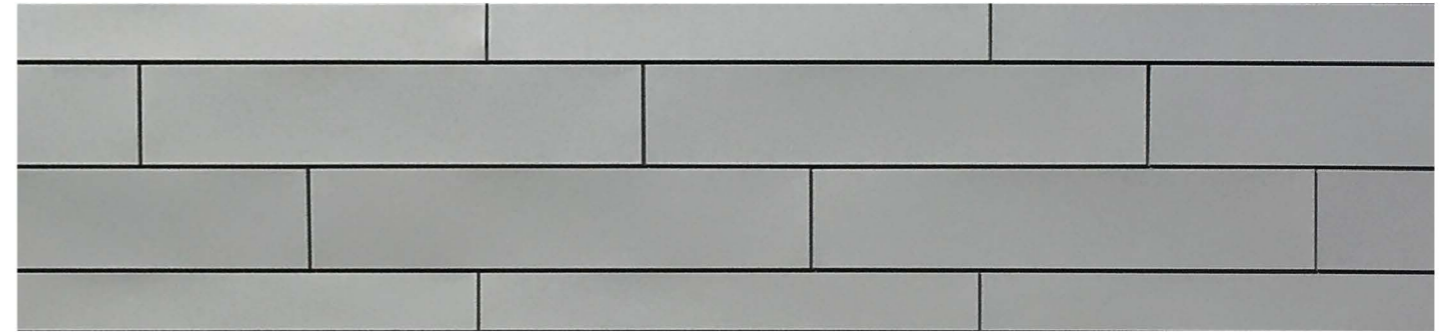
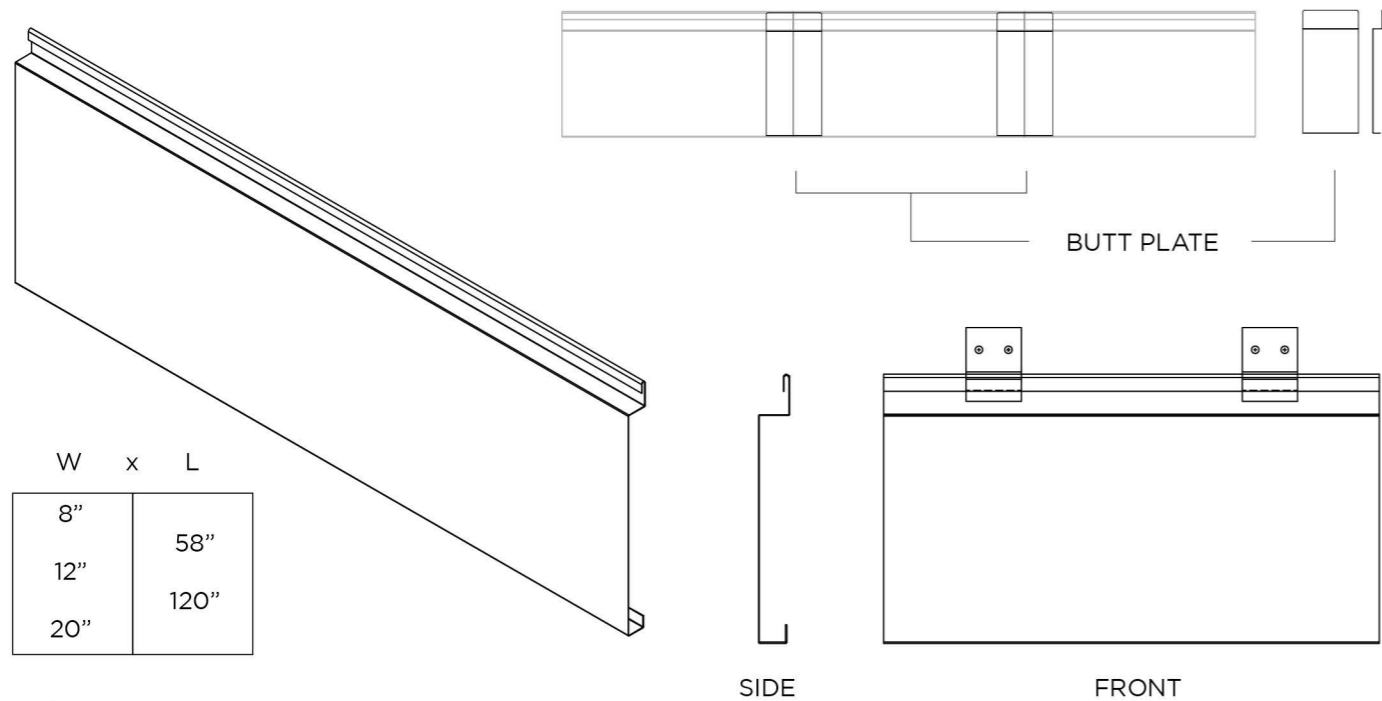


PANELS



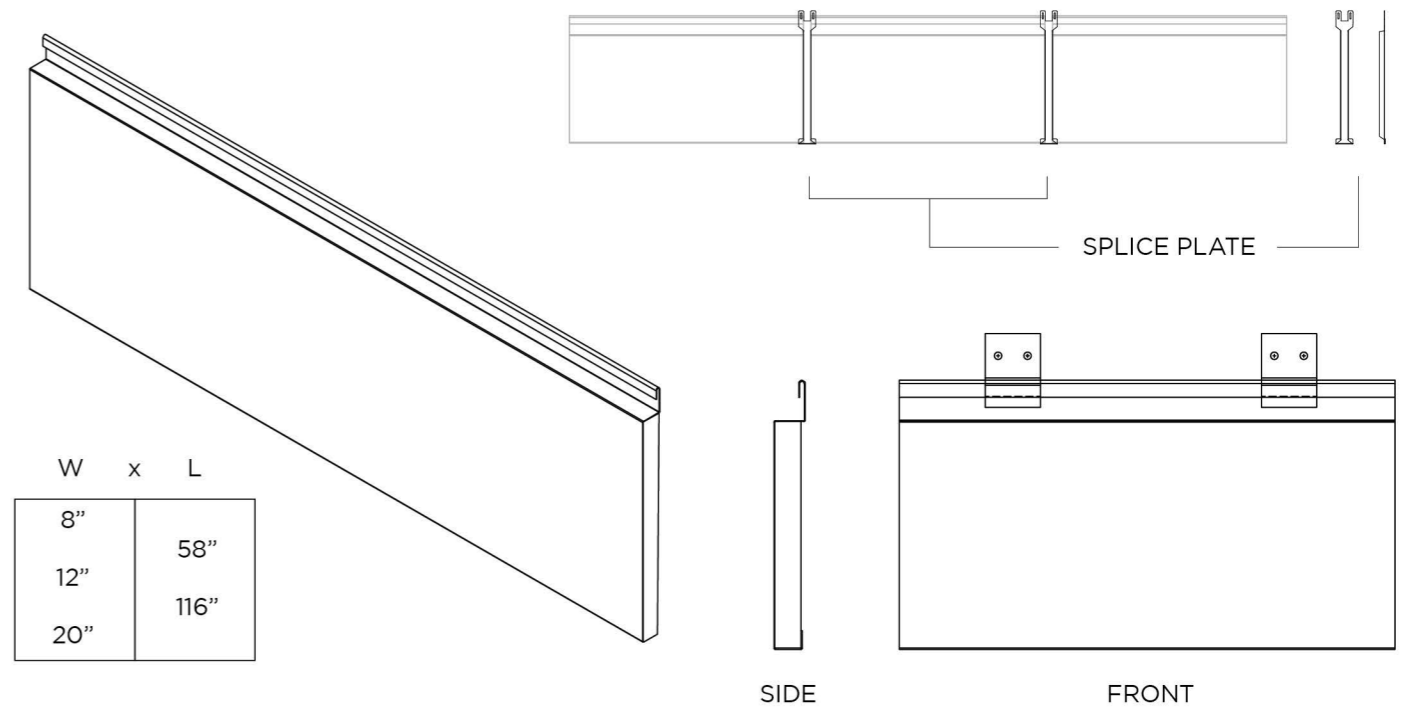
FLUSH REVEAL PANEL (BUTT JOINT)

The profile of the flush reveal panels offers a linear emphasis. Choice of reveal and face dimensions can be easily adjusted to your needs. Horizontal reveal with butt plates allows the panels to lay flush against each other with no vertical reveal.



FLUSH REVEAL PANEL (CASSETTE JOINT)

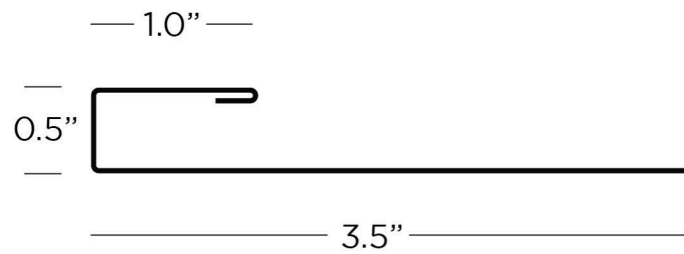
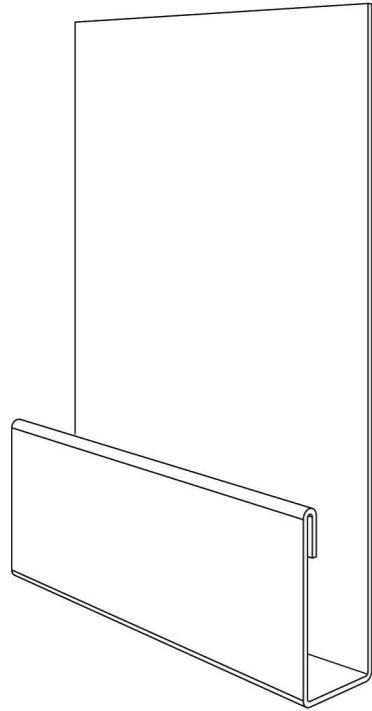
The profile of the flush reveal panels offers a linear emphasis. Choice of reveal and face dimensions can be easily adjusted to your needs. Vertical and horizontal reveal achieved with a cassette end on each panel.



WALL FLASHING

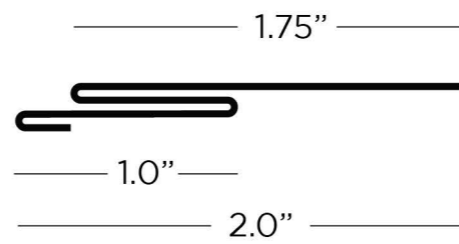
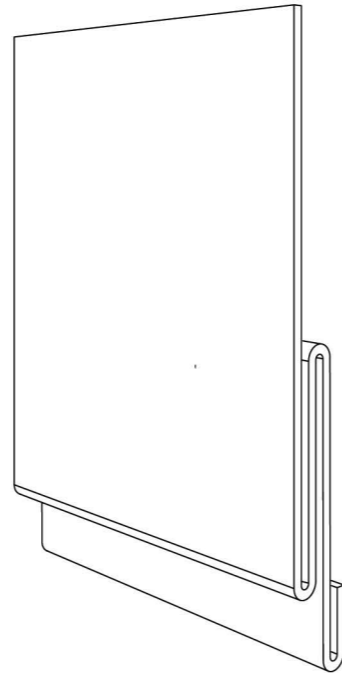
J - CHANNEL

120"L



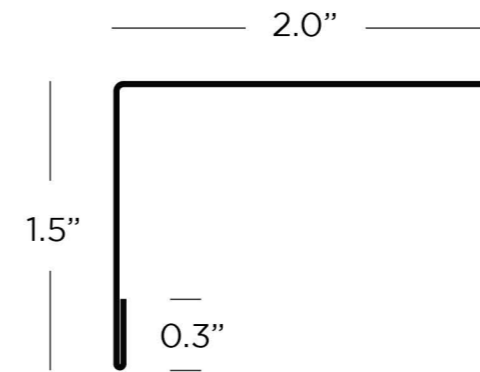
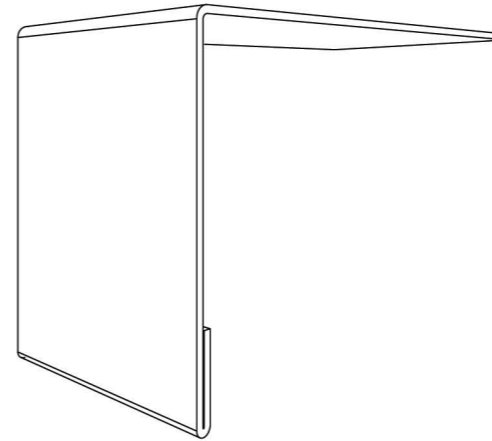
FALSE STARTER

120"L



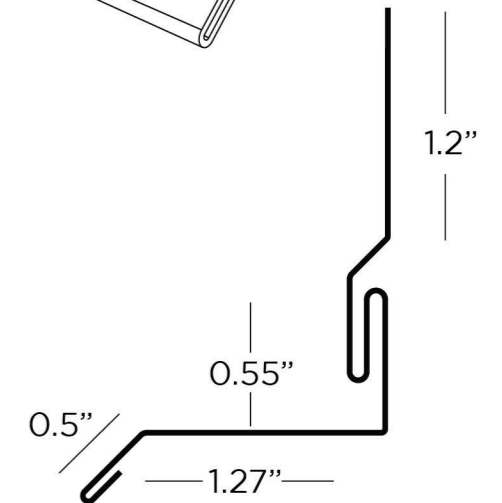
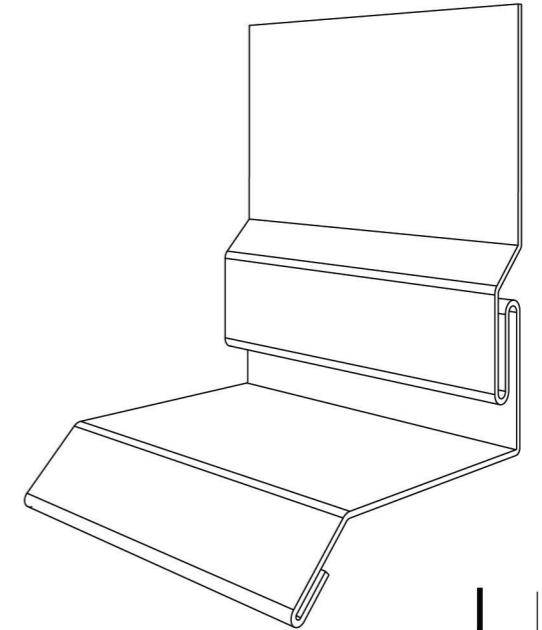
SILL

120"L



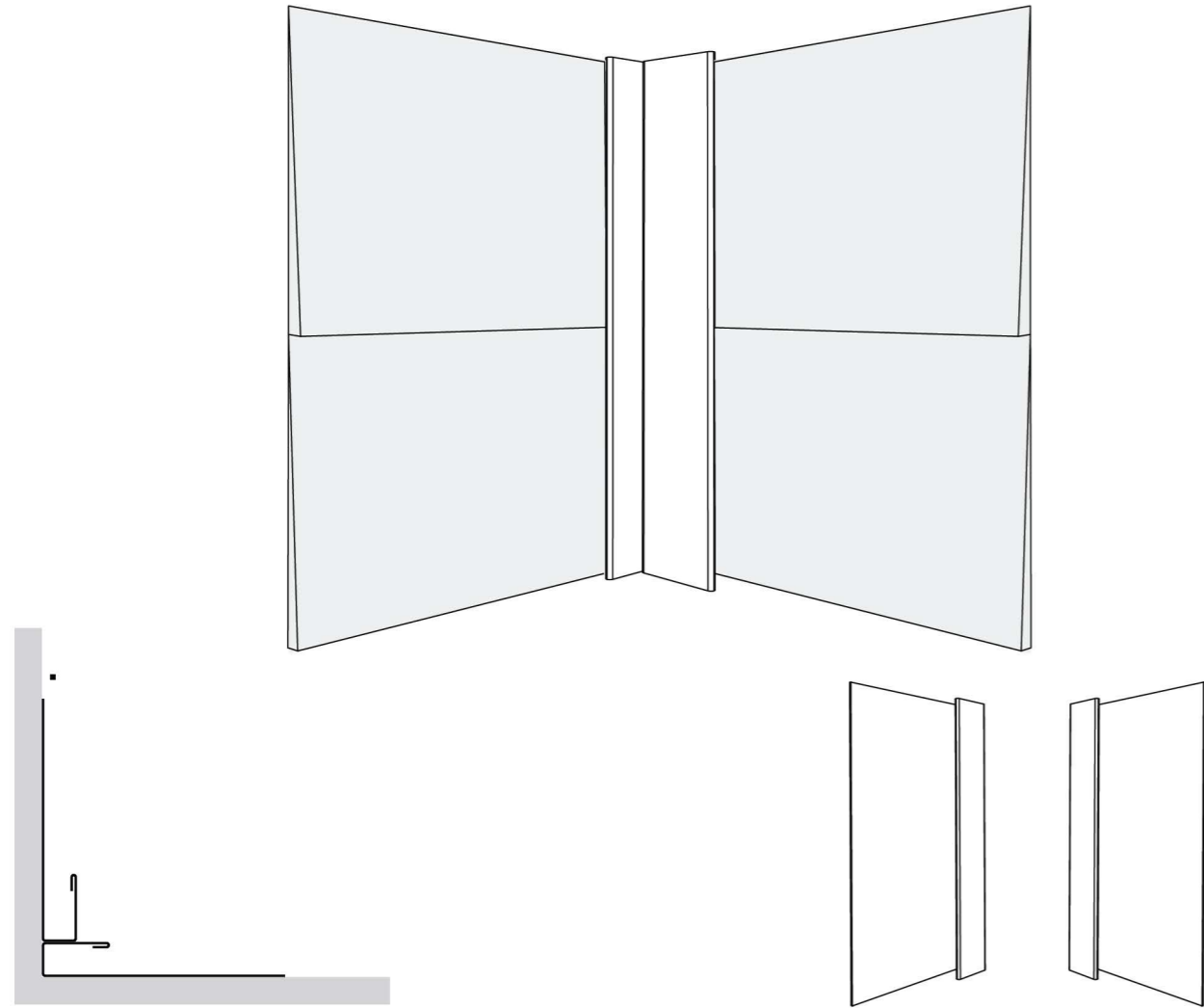
WINDOW HEAD

120"L



INSIDE CORNER FLASHING

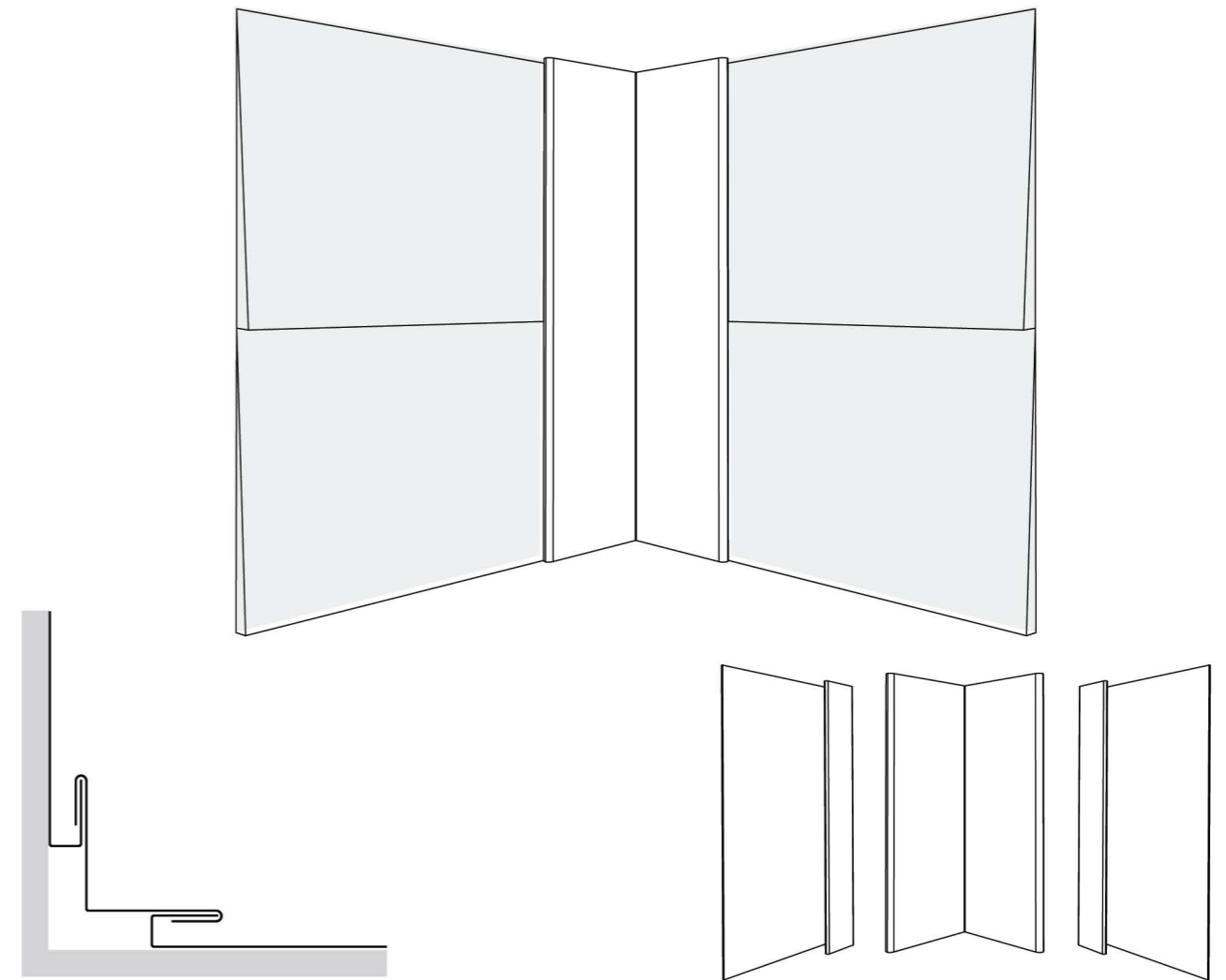
2 - PIECE



TOP VIEW

2 X J-CHANNELS

3 - PIECE



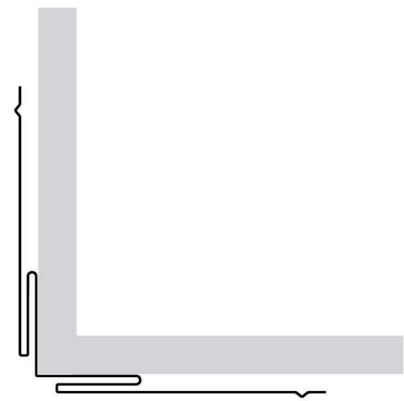
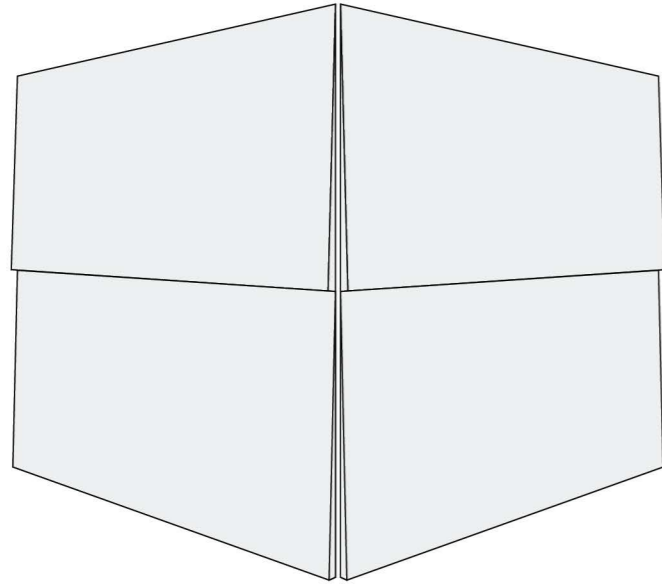
TOP VIEW

2 X J-CHANNELS
1 X CORNER CAP

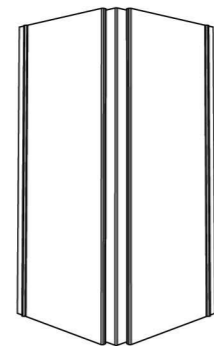


OUTSIDE CORNER FLASHING

1 - PIECE

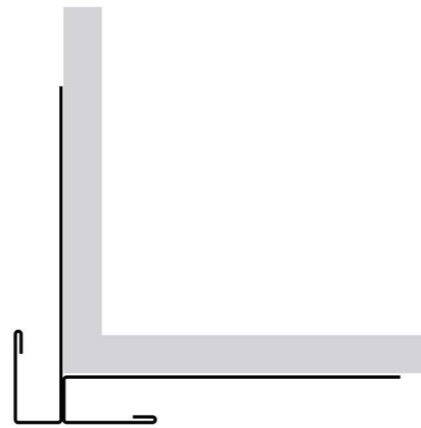
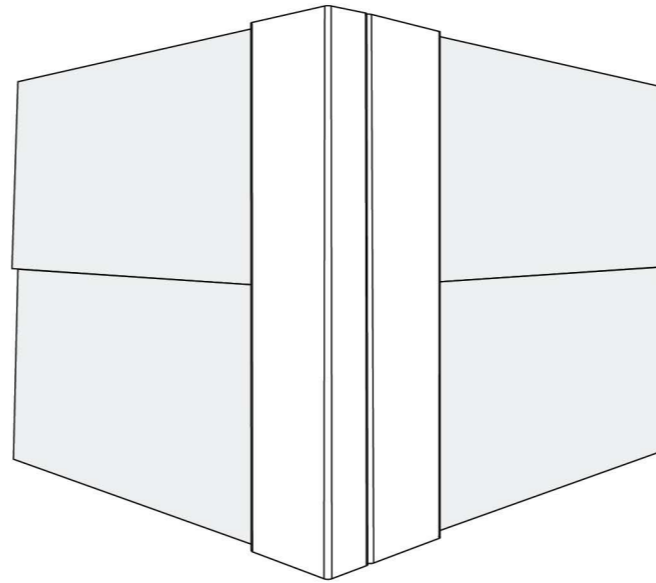


TOP VIEW

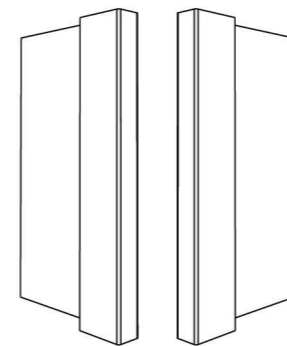


1 - PIECE PROFILE

2 - PIECE

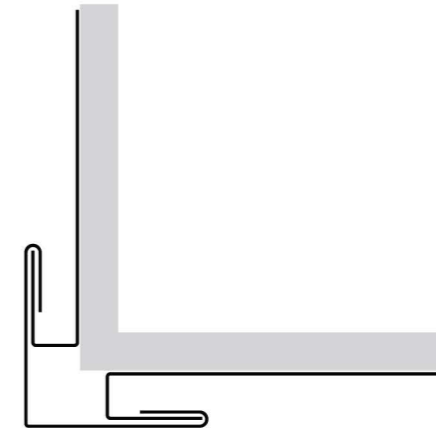
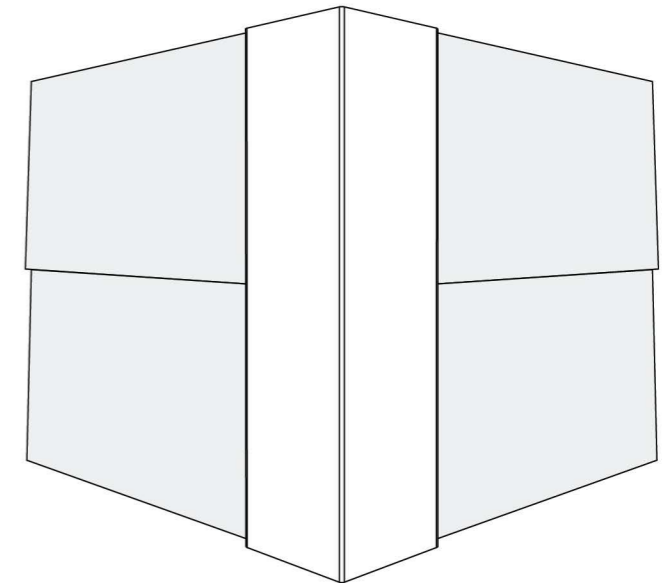


TOP VIEW

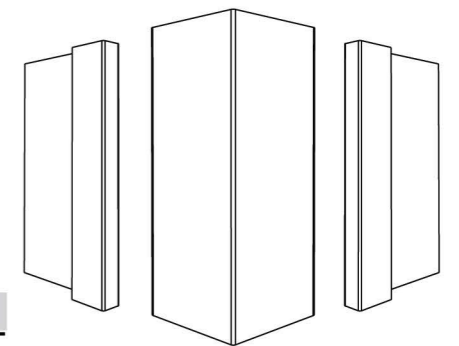


2 X J-CHANNELS

3 - PIECE



TOP VIEW



2 X J-CHANNELS
1 X CORNER CAP



MATERIAL + FINISHES

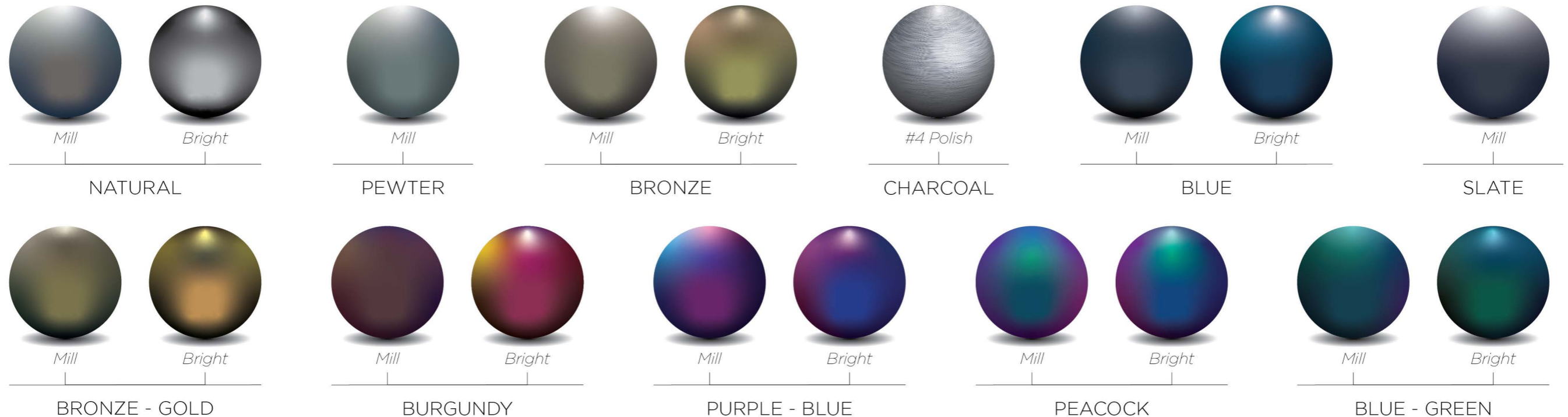
STAINLESS STEEL

Stainless Steel (SS) is known for its elegance and endurance. But aside from its beauty and performance, these metals are also recyclable. Our 304 and 316 stainless steel products contain 75 - 85% post-consumer and post-industrial recycled material as well as 100% recyclable itself.

LIC Coloring Process

Light Interference Color (LIC) is an electrochemical process to color stainless steel without the use of dyes or pigments. Our proprietary LIC process grows a chrome oxide (chromate) layer on the stainless steel resulting in a prism, which reveals the changing color that we see on the surface of the metal. Each color is available in a range giving stainless steel a brilliant, unique look. The color you see is dependent on the environment and light, weather, and the angle in which you observe.

**DISCLAIMER: Color spheres do not represent actual colors. Color spheres are used to show 3-D color-shifting nature of LIC colors.*



MATERIAL + FINISHES

ZALMAG®

ZALMAG® is a highly corrosion - resistant hot dip coated steel that has a coating layer of Zinc, Aluminum, and Magnesium. Additionally, ZALMAG® has superior scratch resistance with unique self-healing characteristics that make it the perfect material for perforating, and great solution for all environments.

PATINA PROCESS

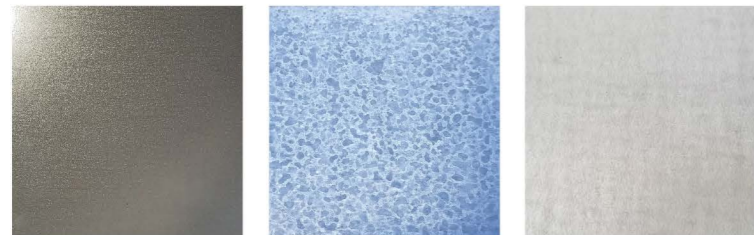
The beauty and magic of ZALMAG® is that every application is different. Depending on the temperature, humidity, and alkalinity of your location, the patina process can start at different rates (weeks to years) - adding visual interest and character at every step of the journey. ZALMAG® makes any architectural application a living transformation project.



Natural ZALMAG®

Begins as a spangled metallic silver and ages into an attractive matte grey with hints of blue.

PATINA PROCESS →



Pre-Patina II ZALMAG®

If you want to skip the wait for a patina'd ZALMAG® and jump straight to an aged look, then our grey coated ZALMAG® is the solution for you. The metal will age and change slightly in grey hue over time, even with the grey coating.

PATINA PROCESS →



Black ZALMAG®

Black ZALMAG® is best described as a "charred wood" look from afar or a leather texture up-close. Black ZALMAG® will also age with time and present typical grey zinc aging patterns across its face over time.

PATINA PROCESS →

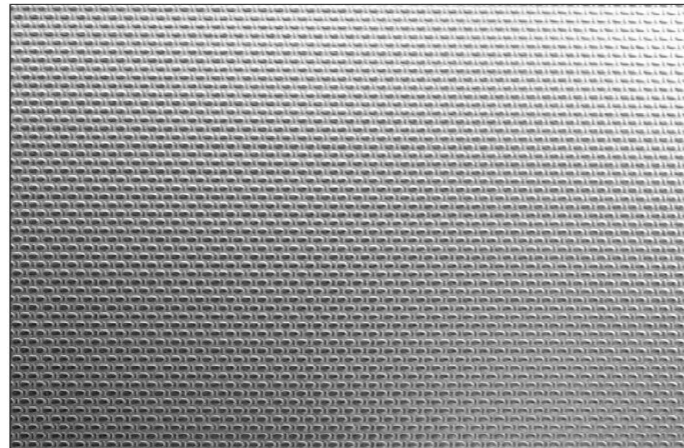


TEXTURE

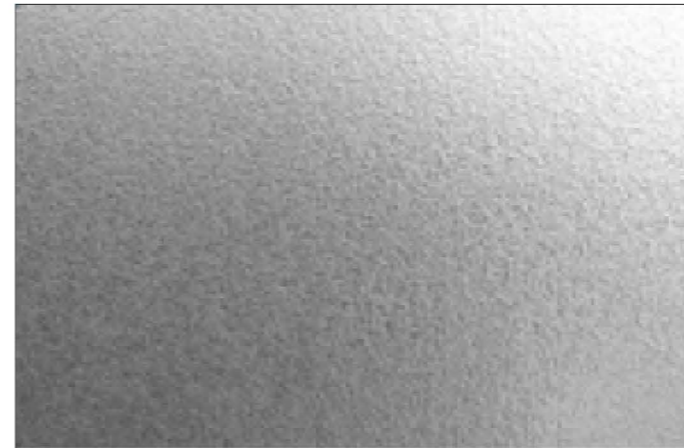
OPTIONS

Textures can be used to enhance your design, whether you want to diffuse light, introduce depth to your façade or reduce finger-printing. All textures are available for SS (LIC) and ZALMAG® materials. Textures only available in panels or sheets.

¹Not all textures available in all gauges, minimum quantities may apply. Contact your representative for more information.



LINEN



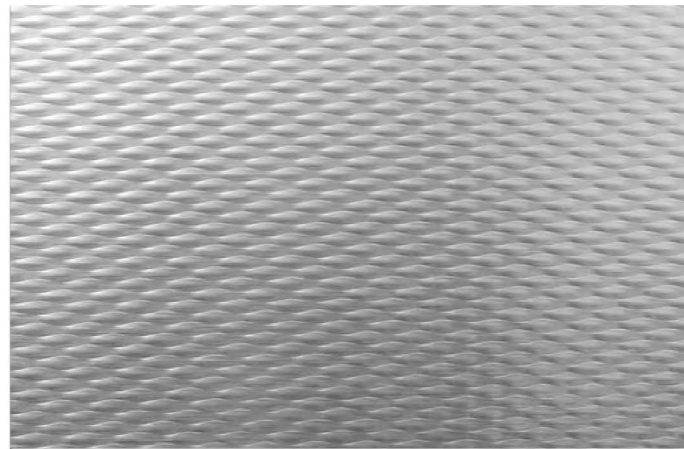
SHARKSKIN



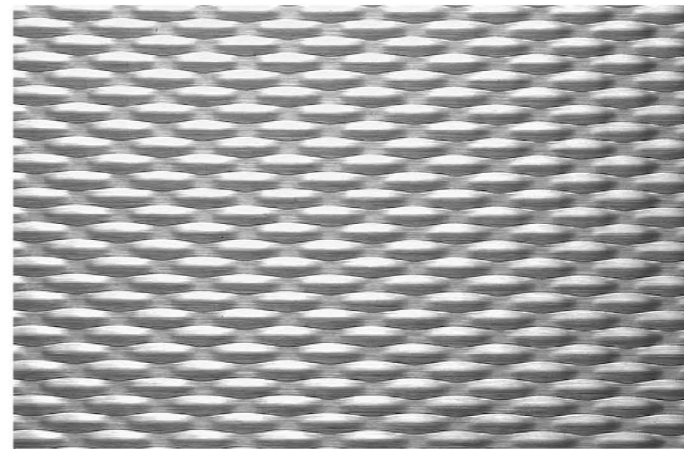
BEAD BLAST



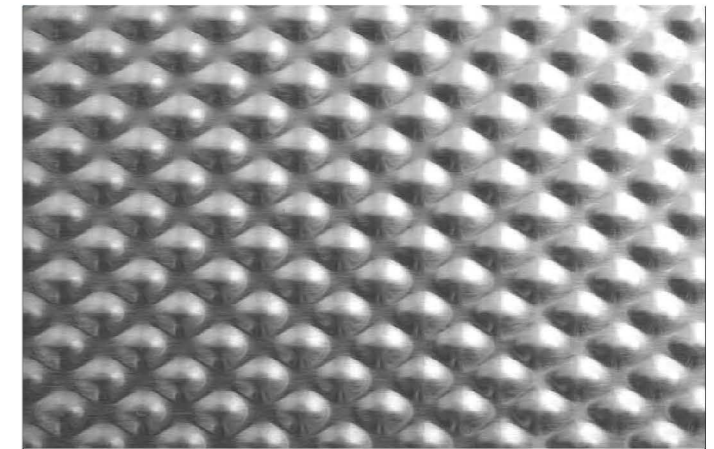
2FL



2WL



5WL



6WL



PRODUCT CHART

FORM	GAUGE	TEXTURE
TILE CUPPED FLAT	26	N/A
PANEL LAY-FLAT FLAT LOCK FLUSH REVEAL (BUTT JOINT) FLUSH REVEAL (CASSETTE JOINT)	16 - 24	2WL, 2FL, 6WL, 5WL, LINEN, SHARKSKIN, BEAD BLAST
SHEET 48"W x 120"L		
FLASHING MAX 120"L	24	

MATERIAL	ALLOY	FINISH	COLOR
SS (LIC)	304, 316	MILL BRIGHT #4 POLISH* <small>(CHARCOAL ONLY)</small>	PEWTER BRONZE CHARCOAL* BLUE SLATE BRONZE GOLD BURGUNDY PURPLE BLUE PEACOCK BLUE GREEN
ZALMAG®	N/A	NATURAL, PRE-PATINA II BLACK	N/A

¹Not all textures available in all gauges, minimum quantities may apply.



CONTACT



Leepfrog Technologies / ASK Studio
Large Flat Tile / LIC SS / Charcoal #4 polish

Millennium Forms LLC
550 East Centralia Street
Elkhorn, WI 53121 U.S.A.

p. 262.723.7778

info@millenniumforms.com

millenniumforms.com

Contact us for more information on our family of products and how we can supply you with a sample. millenniumforms.com

