



## KNIGHT WALL SYSTEMS

### PANELRAIL™:

Perforated Cladding Attachment Rails for Use with Any Rainscreen.



With better drainage and ventilation, it's a rail designed with performance, durability and the installer in mind.

Knight Wall Systems offers its popular PanelRail™ attachment rails as standalone products for use with third-party and custom rainscreens—making this easy-to-install technology available to the broader construction market.

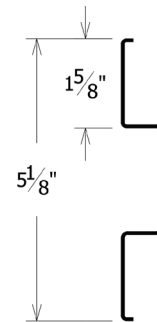
### How does PanelRail work?

PanelRail can be employed as a second layer of rails to help accommodate different panel layouts and sizes to add depth, and can also be used in assemblies not requiring exterior insulation, where rails are installed directly over the substrate (steel studs with gypsum sheathing, wood studs with sheathing, CMU, etc.), enabling increased air flow behind the cladding while allowing water to drain efficiently.



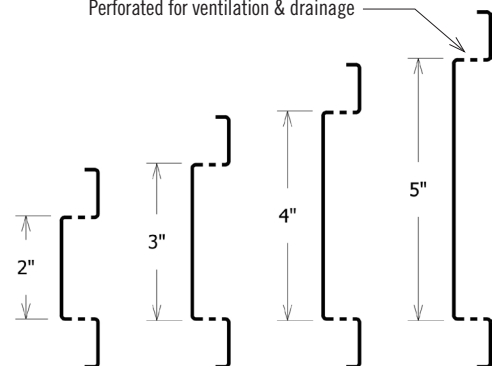
### Profile Options

RevealRail™



PanelRail™

Perforated for ventilation & drainage



## PanelRail and RevealRail advantages:

- Rails may be attached to substrate or other rails in a vertical or horizontal orientation
- Standard depth of 3/4" with face dimensions of 2", 3", 4" or 5"
- Regular perforation pattern means water won't accumulate and air is free to move
- Available in 18-gauge and 16-gauge
- High corrosive-resistant Zn-Al-Mg ZM40 coating for a long service life (vs. typical G90 galvanized steel)
- **Available with a coil coated, black, PVDF finish (18-gauge)**
- Project specific engineering available
- Limited 10-year warranty available
- Attach nearly any cladding with easy and efficient installation and detailing
- Wall anchors can be supplied

Where a typical furring channel would require a hole drilled in the field for the wall anchor, pre-punched holes on a PanelRail for the wall anchors make installation simple over CMU, concrete and wood studs – saving time and cutting labor costs.

Knight Wall Systems' **PanelRail** & **RevealRail** have been typically used as a second layer of rails atop the CI® System, HCI™ System or MFI® System to help accommodate different panel layouts, sizes or add depth. Now Knight offers the same technology for rainscreens of all types!

### KNIGHT WALL CAN CONTRIBUTE TO THE FOLLOWING USGBC LEED CREDITS:

- Energy & Atmosphere (EA) Prerequisite and Credit 1
- Materials & Resources (MR) Credits 4 and 5



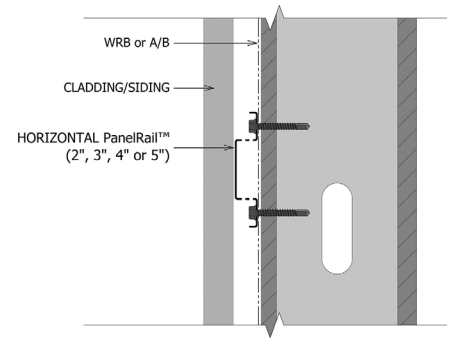
**ALL KNIGHT WALL SYSTEMS COMPONENTS ARE MANUFACTURED IN THE USA.**

NO EXPRESS WARRANTIES ARE GIVEN EXCEPT FOR ANY APPLICABLE WRITTEN WARRANTIES SPECIFICALLY PROVIDED BY KNIGHT WALL SYSTEMS. ALL IMPLIED WARRANTIES INCLUDING THOSE OF MERCHANTABILITY AND FITNESS FOR A PARTICULAR PURPOSE ARE EXPRESSLY EXCLUDED. No freedom from any patent owned by Knight Wall Systems or others is to be inferred. Because use conditions and applicable laws may differ from one location to another and may change with time, Customer is responsible for determining whether products and the information in this document are appropriate for Customer's use.

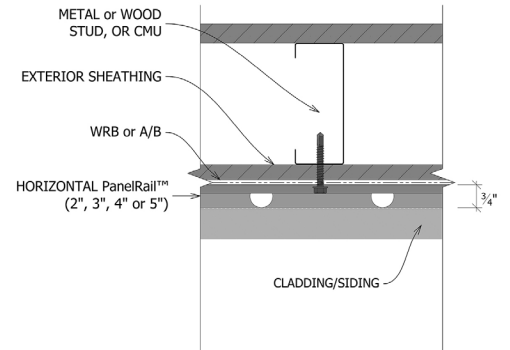
CI, CI-Girt, MFI, ThermaStop, PanelRail and RevealRail are trademarks of Knight Wall Systems, Inc. Patent 8,429,866 B2 and others pending.

## PanelRail Direct to Substrate

Section View

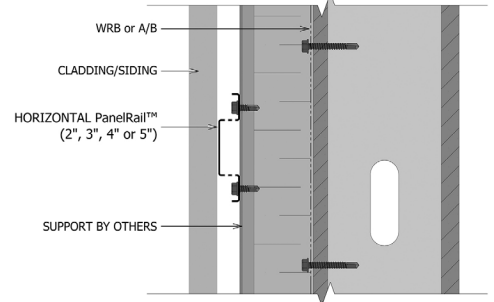


Plan View

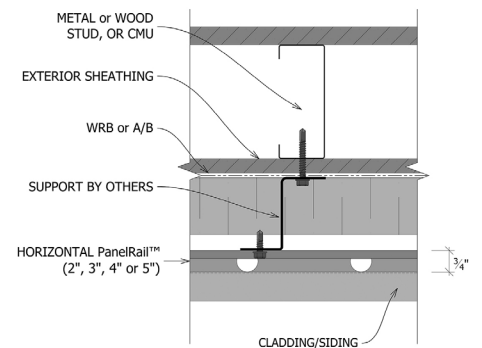


## PanelRail With Other Assemblies

Section View



Plan View



# KNIGHT WALL SYSTEMS

2401 East 6th Street, Deer Park, WA 99006  
[www.knightwallsystems.com](http://www.knightwallsystems.com)  
 1-855-597-9255 (KWS-WALL)  
 509.262.0104